

4817-3816

Cascade®

SmartHeight™, Elongated Front, Vitreous China, Two-Piece Toilet



Features

- Unique rimless bowl design
- Uses 20% less water than conventional toilets
- 1.28 gpf / 4.86 lpf low water consumption
- Elongated front, SmartHeight™ (16-9/16") bowl
- 3" flush valve
- Pilot operated fill valve
- 12" rough-in
- 2" glazed trapway
- Chrome trip lever
- Mansfield's® limited lifetime warranty
- Available in White







Model 4817-3816
Toilet seat not included



Rimless
Bowl

Components

| Model # | Description | Codes/Standards |
|-----------|---|---|
| 4817-3816 | SmartHeight, elongated front, two-piece toilet. Less toilet seat and supply. |     |
| 4817 | Elongated front toilet bowl only. Less toilet seat. | |
| 3816 | Tank and cover only, with left hand, front-mount, chrome trip lever. Less supply. | |
| 3816RH | Same as above, with right hand trip lever. | |





4817-3816

Cascade®

SmartHeight™, Elongated Front, Vitreous China, Two-Piece Toilet

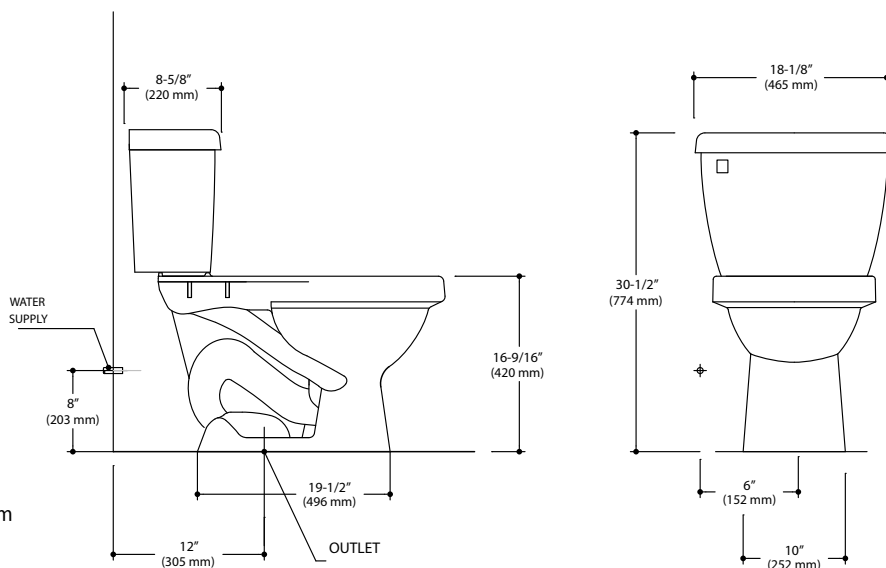
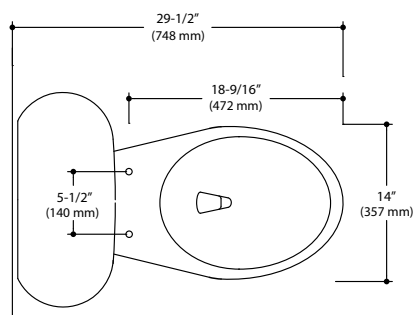


Specifications

| Model # | Description | Codes/Standards |
|-----------|---|--|
| 4817-3816 | SmartHeight™ elongated front (1.28 gpf/4.86 lpf) two-piece toilet |     |

| Specification | Description | Specification | Description |
|----------------------|---------------------------------|-----------------|---|
| Material | Vitreous china | Trap Diameter | 2" |
| Water Pressure Range | 20 to 80 PSI | Trap Seal | 2" |
| Flush System | Gravity fed flushing technology | Rough-in | 12" |
| Water Usage | 1.28 gpf / 4.86 lpf | Shipping Weight | 73.6 lbs. (33.4 kg) |
| Water Surface Area | 7-1/4" X 10-1/2" | Warranty | Vitreous China - Limited Lifetime Tank Trim - Limited One Year |
| MaP Rating | 800 grams | | |

Technical Information



See our complete line of acrylic and vitreous china bathroom fixtures, plastic tank trim and plumbing products.

These dimensions are nominal and subject to change without notice.

Fixture performance and specifications meet or exceed ASME A112.19.2-2008/CSA B45.1-08 standards, and other state and local codes.